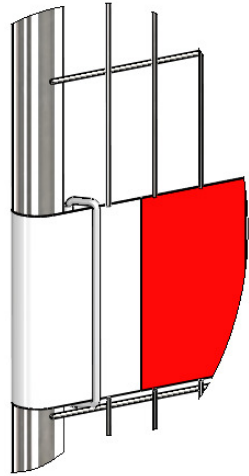
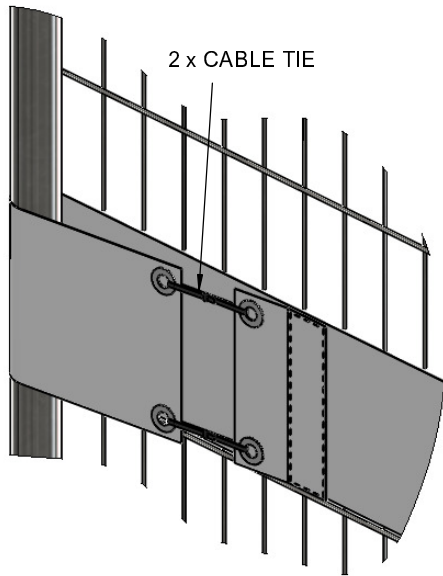


ALL DIMENSIONS IN MILLIMETRES
REMOVE ALL SHARP EDGES

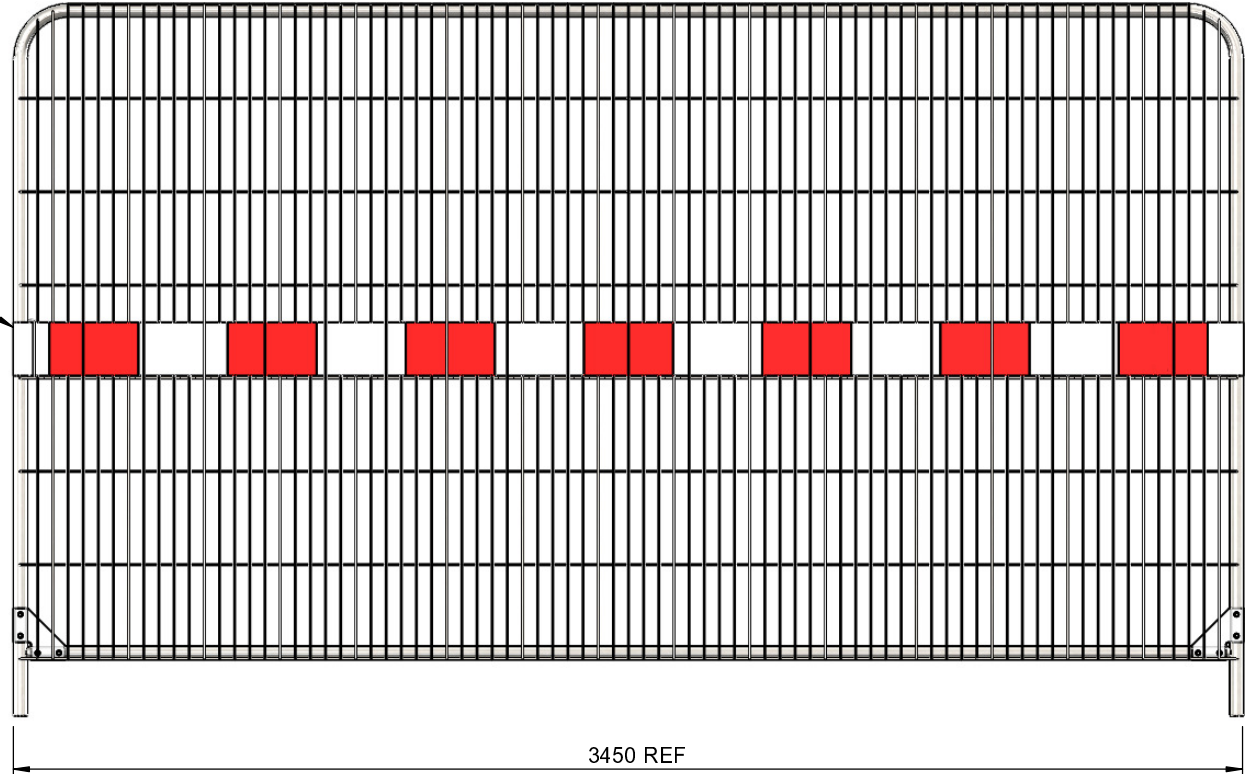
THIRD ANGLE PROJECTION
DO NOT SCALE DRAWING



VIEW ON FRONT FACE



VIEW ON BACK FACE



VIEW ON FRONT FACE

3450 REF

2	11/4/11	ISSUED FOR MANUFACTURE	GC		
1	11/4/11	ISSUED FOR MANUFACTURE	GC		
REV	DATE	DESCRIPTION	DRN	CHKD	APPR

TITLE: REFLECTIVE STRIP (3.5m PANEL)				MATERIAL: AS SUPPLIED	
DRAWN	NAME	SIGNATURE	DATE		
CHK'D	G. CRICK		1/8/9		
FINISH:			NONE		

ZNDUK	
Dwg/Stock No.	Revision
02251430	2

UNLESS STATED OTHERWISE		
GENERAL TOLERANCES:		
FABRICATION	UP TO 1000mm	+/- 2mm
	1001mm & ABOVE	+/- 3mm
ANGULAR	+/- 0.5 DEGREE	
WEIGHT	+/- 10% (DUE TO MATERIAL PROPERTIES & TOLERANCES)	

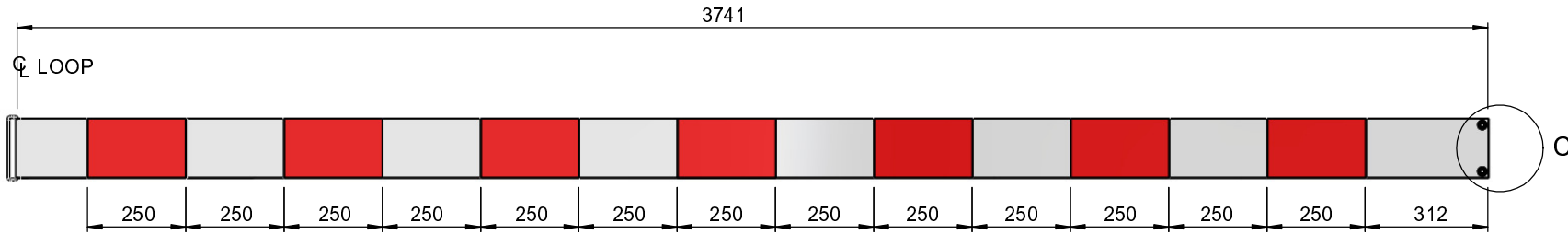
WAS ZND249

EURO Reflektionsfolie universell einsetzbar für alle Zaunsysteme - 1052

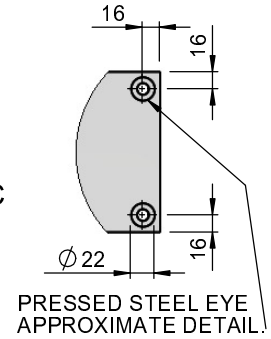
THE COMPANY RETAIN THE RIGHT TO PERIODICALLY ALTER INFORMATION WITHIN THIS DRAWING SHEET AND WILL ATTEMPT TO NOTIFY ALL PARTIES CONCERNED OF ANY CHANGES AND THE INFORMATION ON THIS SHEET SHOULD NOT BE REPRODUCED WITHOUT THEIR WRITTEN CONSENT.

ALL DIMENSIONS IN MILLIMETRES
REMOVE ALL SHARP EDGES

THIRD ANGLE PROJECTION
DO NOT SCALE DRAWING

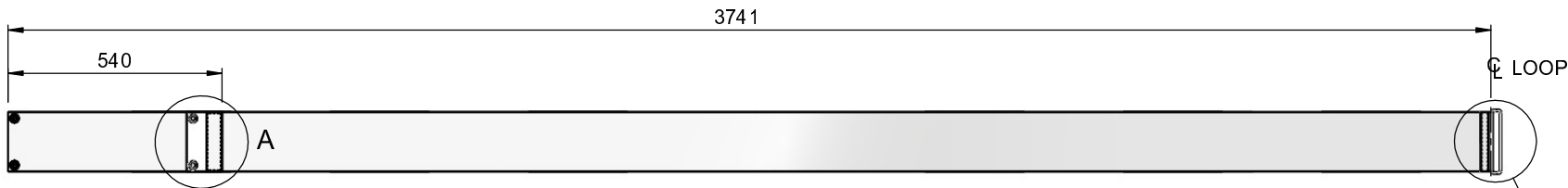


VIEW ON FRONT FACE

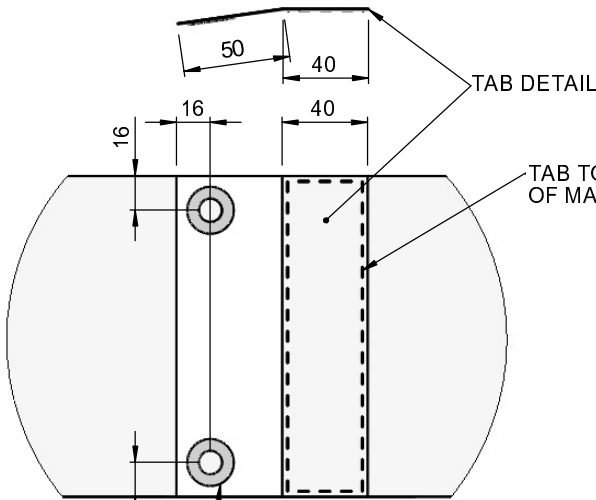


PRESSED STEEL EYE
APPROXIMATE DETAIL.

DETAIL C
SCALE 1 : 5



VIEW ON BACK FACE



DETAIL A
SCALE 1 : 2.5

NOTE:
OVERALL LENGTH OF REFLECTOR
BEFORE MAKING LOOP = 3786mm

USE 2 ROWS OF STITCHING
TO MAKE LOOP FOR BUCKLE

APPROX 35
OVERLAP

ZND249-2

2	28/5/13	ISSUED FOR MANUFACTURE	GC		
1	11/4/11	ISSUED FOR MANUFACTURE	GC		
REV	DATE	DESCRIPTION	DRN	CHKD	APPR

TITLE: REFLECTIVE STRIP
(3.5m PANEL)

UNLESS STATED OTHERWISE		
GENERAL TOLERANCES:		
FABRICATION	UP TO 1000mm	+/- 2mm
	1001mm & ABOVE	+/- 3mm
ANGULAR	+/- 0.5 DEGREE	
WEIGHT	+/- 10% (DUE TO MATERIAL PROPERTIES & TOLERANCES)	

NAME	SIGNATURE	DATE
G. CRICK		1/8/9
CHK'D		
FINISH: NONE		

MATERIAL:
AS SUPPLIED

ZNDUK

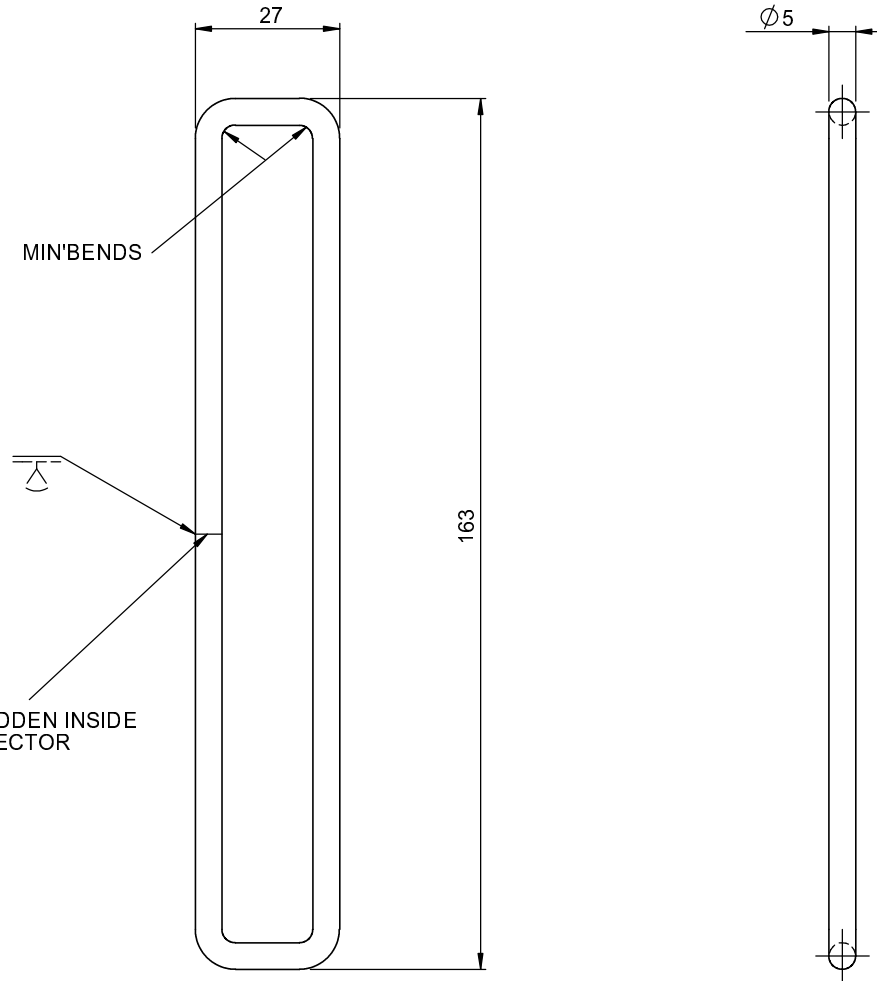
Dwg/Stock No.	Revision
02251430	2

EURO Reflektionsfolie universell einsetzbar für alle Zaunsysteme - 1052
WAS ZND249

THE COMPANY RETAIN THE RIGHT TO PERIODICALLY ALTER INFORMATION WITHIN THIS DRAWING SHEET AND WILL ATTEMPT TO NOTIFY ALL PARTIES CONCERNED OF ANY CHANGES AND THE INFORMATION ON THIS SHEET SHOULD NOT BE REPRODUCED WITHOUT THEIR WRITTEN CONSENT.

ALL DIMENSIONS IN MILLIMETRES
REMOVE ALL SHARP EDGES

THIRD ANGLE PROJECTION
DO NOT SCALE DRAWING



2	28/5/13	ISSUED FOR MANUFACTURE	GC	.	.
1	11/4/11	ISSUED FOR MANUFACTURE	GC	.	.
REV	DATE	DESCRIPTION	DRN	CHKD	APPR

TITLE: REFLECTIVE STRIP BUCKLE
(3.5m PANEL)

UNLESS STATED OTHERWISE		
GENERAL TOLERANCES:		
FABRICATION	UP TO 1000mm	+/- 2mm
	1001mm & ABOVE	+/- 3mm
ANGULAR	+/- 0.5 DEGREE	
WEIGHT	+/- 10% (DUE TO MATERIAL PROPERTIES & TOLERANCES)	

NAME	SIGNATURE	DATE
G. CRICK		11/3/10
CHK'D		
FINISH:		
ZINC PLATE		

MATERIAL:
CARBON STEEL



Dwg/Stock No.	Revision
02251430-2	2

THE COMPANY RETAIN THE RIGHT TO PERIODICALLY ALTER INFORMATION WITHIN THIS DRAWING SHEET AND WILL ATTEMPT TO NOTIFY ALL PARTIES CONCERNED OF ANY CHANGES AND THE INFORMATION ON THIS SHEET SHOULD NOT BE REPRODUCED WITHOUT THEIR WRITTEN CONSENT.