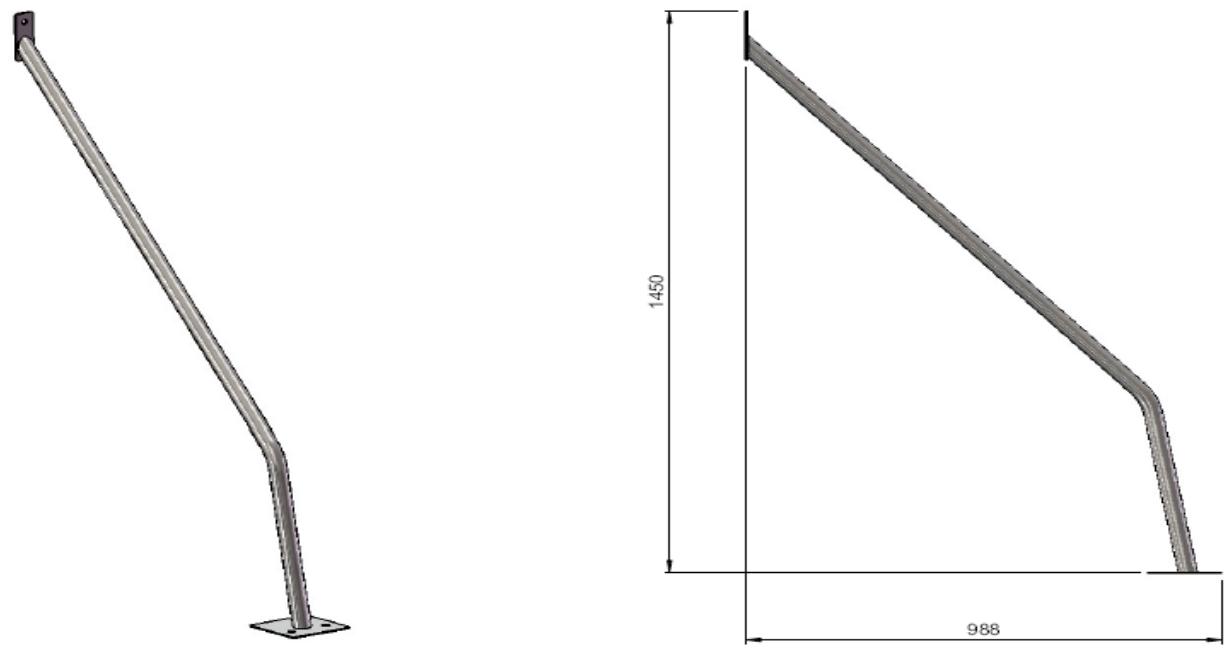


ALL DIMENSIONS IN MILLIMETRES  
REMOVE ALL SHARP EDGES

THIRD ANGLE PROJECTION  
DO NOT SCALE DRAWING



7	2/1/14	ISSUED FOR MANUFACTURE	GC		
6	9/8/13	ISSUED FOR MANUFACTURE	GC		
REV	DATE	DESCRIPTION	DRN	CHKD	APPR

WAS PART No. ZND109  
THE COMPANY RETAIN THE RIGHT TO PERIODICALLY ALTER INFORMATION WITHIN THIS DRAWING SHEET AND WILL ATTEMPT TO NOTIFY ALL PARTIES CONCERNED OF ANY CHANGES AND THE INFORMATION ON THIS SHEET SHOULD NOT BE REPRODUCED WITHOUT THEIR WRITTEN CONSENT

TOLERANCES - UNLESS STATED OTHERWISE		TITLE: ZERO TRIP CRANKED STABILISER			
UNTOLERANCED DIMENSIONS	± 2mm	DRAWN: G. CRICK CHKD: - DATE: 23/08			
CUTTING LENGTHS	± 2mm				
FABRICATION	UP TO 300mm ± 1mm UP TO 1000mm ± 2mm 1001mm & ABOVE ± 3mm	MATERIAL: CARBON STEEL PRE-GALVANISED			
MACHINING	± 0.2mm				
GAUGE	± 10%	FINISH: NONE			
WEIGHT	± 10% (DUE TO MATERIAL PROPERTIES & TOLERANCES)	WEIGHT: 3 Kg			

**ZNDUK**

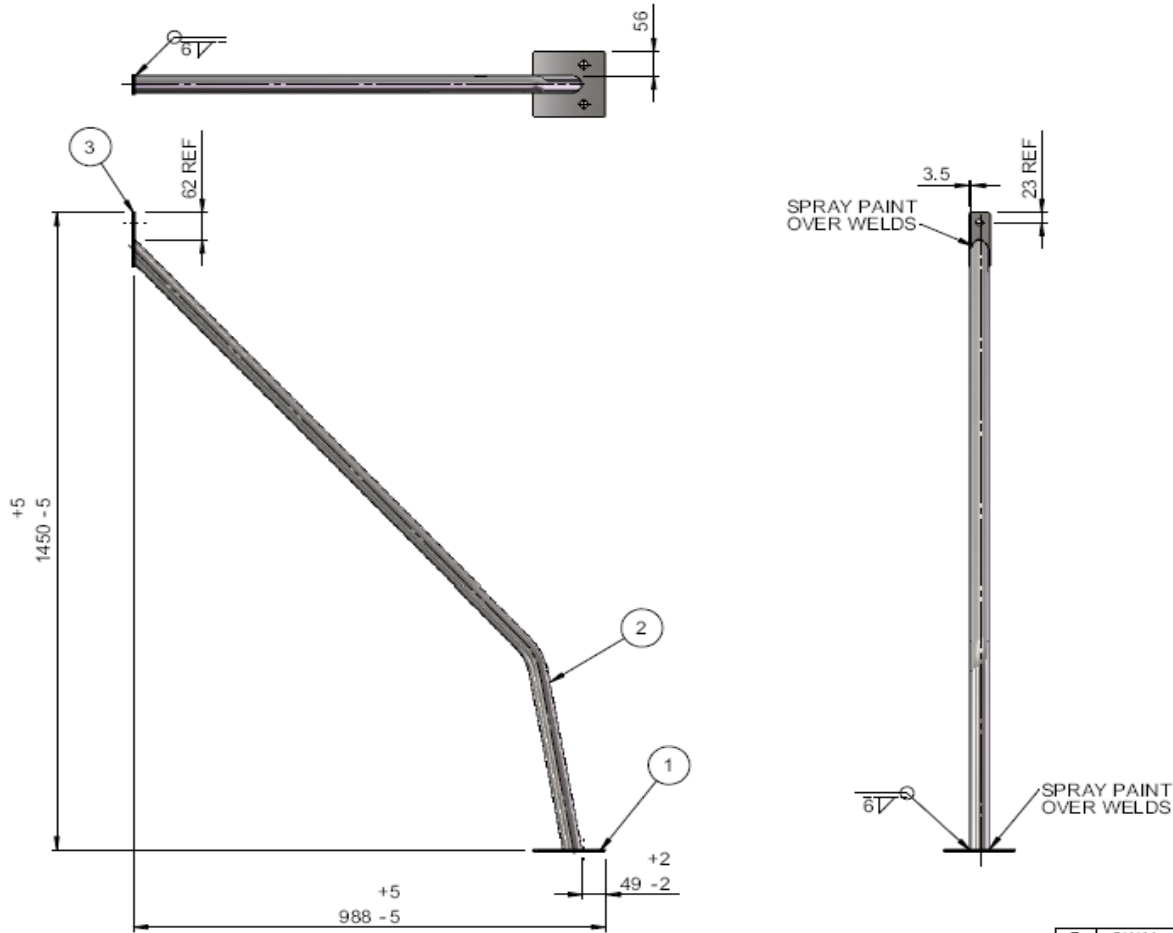
Drw / Stockcode No. 09551740

Revision 7

SCALE: 1:10 SHEET 1 OF 9 A3

ALL DIMENSIONS IN MILLIMETRES  
REMOVE ALL SHARP EDGES

THIRD ANGLE PROJECTION  
DO NOT SCALE DRAWING



7	2/1/14	ISSUED FOR MANUFACTURE	GC		
6	9/8/13	ISSUED FOR MANUFACTURE	GC		
REV	DATE	DESCRIPTION	DRN	CHKD	APPR

ITEM No.	PART NO.	DESCRIPTION	QTY
1	09551740-1	BASE PLATE	1
2	09551740-2	TUBE	1
3	09551550	TOP PLATE	1

WAS PART No. ZND109

TOLERANCES - UNLESS STATED OTHERWISE	
UNTOLERANCED DIMENSIONS	± 2mm
CUTTING LENGTHS	± 2mm
FABRICATION	± 1mm
UP TO 300mm	± 2mm
UP TO 1000mm	± 3mm
1001mm & ABOVE	± 1°
ANGULAR	± 0.2mm
MACHINING	± 10%
GAUGE	± 10% (DUE TO MATERIAL PROPERTIES & TOLERANCES)
WEIGHT	

TITLE: ZERO TRIP CRANKED  
STABILISER - FABRICATION

NAME	SIGNATURE	DATE
DRAWN G. CRICK		23/1/8
CHKD		

FINISH: SEE NOTE

MATERIAL:  
CARBON STEEL  
PRE-GALVANISED

**ZNDUK**

Dwg / Stockcode No. 09551740-FAB  
Revision 7

THE COMPANY RETAIN THE RIGHT TO PERIODICALLY ALTER INFORMATION WITHIN THIS DRAWING SHEET AND WILL ATTEMPT TO NOTIFY ALL PARTIES CONCERNED OF ANY CHANGES AND THE INFORMATION ON THIS SHEET SHOULD NOT BE REPRODUCED WITHOUT THEIR WRITTEN CONSENT.

WEIGHT: 3 Kg

SCALE: 1:10

SHEET 2 OF 9

A3