

0	20/5/8	ISSUED FOR MANUFACTURE	GC	.	.
REV	DATE	DESCRIPTION	DRN	CHKD	APPR

TITLE: THERMO-PLASTIC FENCE FOOT ( STD )

THIRD ANGLE PROJECTION  
DO NOT SCALE DRAWING

UNLESS OTHERWISE SPECIFIED:  
DIMENSIONS ARE IN MILLIMETERS  
TOLERANCES:  
LINEAR: 0 Place ±1mm  
1 Place Dwg Specified  
ANGULAR: ±0.5DEG

DRAWN	G. CRICK	SIGNATURE	DATE	20/5/8
CHK'D	.			
APP'VD	.			
MFG	.			
Q.A	.			

MATERIAL: RE-CYCLED PLASTICS

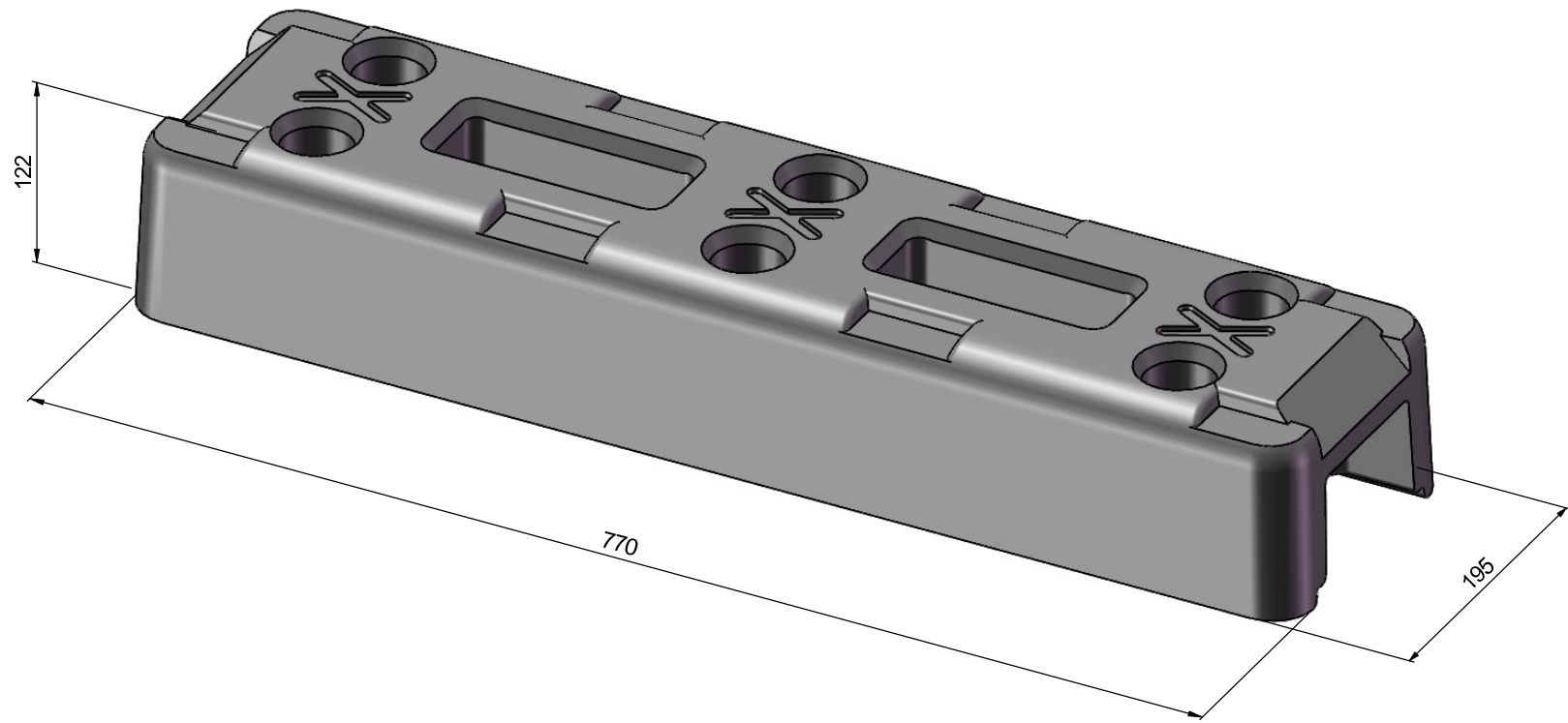
FINISH: NONE

WEIGHT: 18 Kg + or - 10%

**ZNDUK**  
Mangham Road Barbot Hall Ind Estate Rotherham S61 4RJ  
Tel 01709 521100 Fax: 01709 521111 Web: www.znduk.com

Dwg/Stock No.	12551030-GA	Revision	0
---------------	-------------	----------	---

DEBUR AND BREAK SHARP EDGES



0	20/5/8	ISSUED FOR MANUFACTURE	GC	.	.
P3	29/4/8	ISSUED FOR APPROVAL	GC	.	.
REV	DATE	DESCRIPTION	DRN	CHKD	APPR

TITLE: THERMO-PLASTIC FENCE FOOT ( STD )

THIRD ANGLE PROJECTION  
DO NOT SCALE DRAWING

UNLESS OTHERWISE SPECIFIED:  
DIMENSIONS ARE IN MILLIMETERS  
TOLERANCES:  
LINEAR: 0 Place ±1mm  
1 Place Dwg Specified  
ANGULAR: ±0.5DEG

	NAME	SIGNATURE	DATE
DRAWN	G. CRICK		12/11/7
CHK'D	.		.
APP'VD	.		.
MFG	.		.
Q.A			

MATERIAL:  
**RECYCLED PLASTICS**

FINISH:  
**NONE**

**ZNDUK**  
Mangham Road Barbot Hall Ind Estate Rotherham S61 4RJ  
Tel 01709 521100 Fax: 01709 521111 Web: www.znduk.com

Dwg/Stock No.	Revision
<b>12551030</b>	<b>0</b>

DEBUR AND BREAK SHARP EDGES