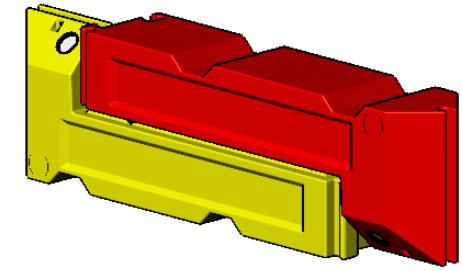
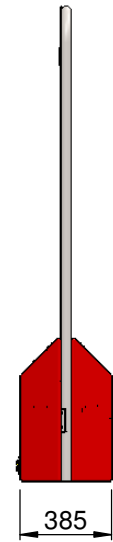
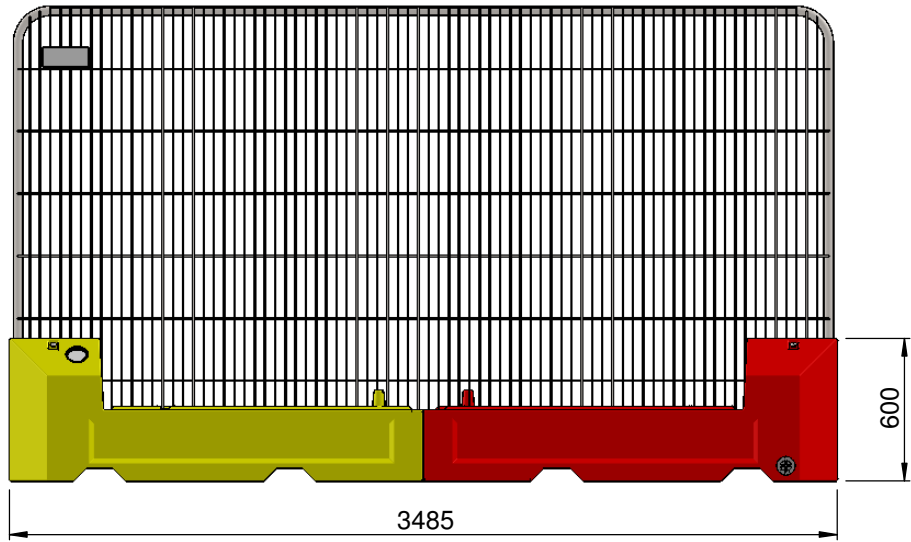
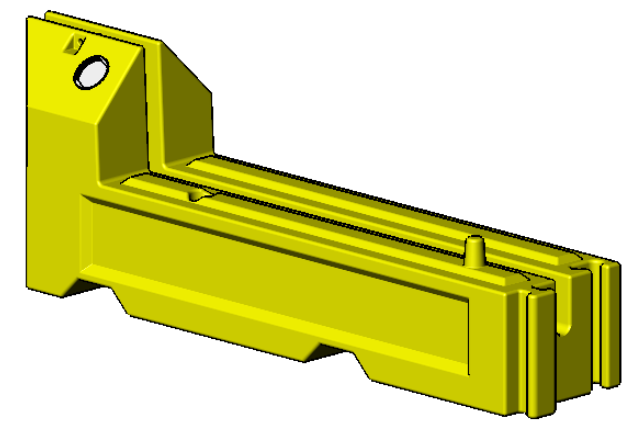
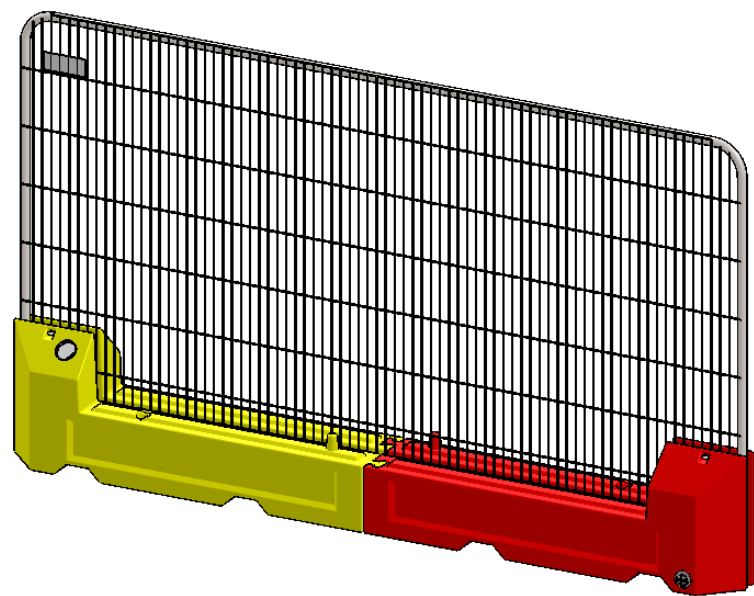


ALL DIMENSIONS IN MILLIMETRES
REMOVE ALL SHARP EDGES

THIRD ANGLE PROJECTION
DO NOT SCALE DRAWING



SLOT BLOCKS CAN BE STACKED
IN PAIRS FOR TRANSPORT



EACH SINGLE SLOT BLOCK WEIGHS 14Kg WHEN EMPTY

2 SLOT BLOCKS ARE REQUIRED FOR EACH PANEL.
TOTAL WEIGHT OF 2 SLOT BLOCKS
WHEN FULL OF WATER IS 320Kg

1	5/1/17	ISSUED FOR MANUFACTURE	GC		
0	21/3/16	ISSUED FOR MANUFACTURE	GC		
REV	DATE	DESCRIPTION	DRN	CHKD	APPR

TOLERANCES - UNLESS STATED OTHERWISE		
UNTOLERANCED DIMENSIONS	+/- 2mm	
CUTTING LENGTHS	+/- 2mm	
FABRICATION	UP TO 300mm	+/- 1mm
	UP TO 1000mm	+/- 2mm
	1001mm & ABOVE	+/- 3mm
	ANGULAR	+/- 1°
MACHINING	+/- 0.2mm	
GAUGE	+/- 10%	
WEIGHT	+/- 10% (DUE TO MATERIAL PROPERTIES & TOLERANCES)	

TITLE: SLOT BLOCK 1.75m - YELLOW			
NAME	SIGNATURE	DATE	MATERIAL:
G. CRICK		29/10/14	LDPE
CHK'D			
FINISH:			
NONE			

OUTDOOR
השכרת ציוד לאירועים ולאמרי בניה ועבודה

Drw / Stockcode No.	Revision
12551535	1

THE COMPANY RETAIN THE RIGHT TO PERIODICALLY ALTER INFORMATION WITHIN THIS DRAWING SHEET AND WILL ATTEMPT TO NOTIFY ALL PARTIES CONCERNED OF ANY CHANGES AND THE INFORMATION ON THIS SHEET SHOULD NOT BE REPRODUCED WITHOUT THEIR WRITTEN CONSENT.