


0	25/5/8	ISSUED FOR MANUFACTURE	GC		
P1	21/4/8	ISSUED FOR APPROVAL	GC		
REV	DATE	DESCRIPTION	DRN	CHKD	APPR

TITLE: **GATE HINGE GALVANISED**

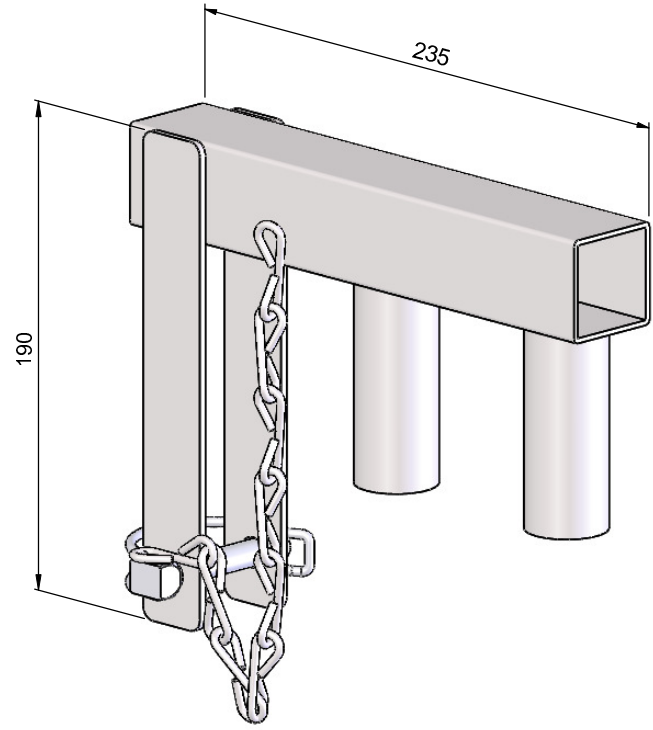
 **THIRD ANGLE PROJECTION**  
 DO NOT SCALE DRAWING  
 UNLESS OTHERWISE SPECIFIED:  
 DIMENSIONS ARE IN MILLIMETERS  
 TOLERANCES:  
 LINEAR: 0 Place ±1mm  
 1 Place Drg Specified  
 ANGULAR: ±0.5DEG

	NAME	SIGNATURE	DATE	MATERIAL:
DRAWN	G. CRICK		21/4/8	CARBON STEEL
CHK'D				
APPVD				
MFG				
Q.A				




Dwg/Stock No. **09054030-GA** Revision **0**

DEBUR AND BREAK SHARP EDGES



0	25/5/8	ISSUED FOR MANUFACTURE	GC		
REV	DATE	DESCRIPTION	DRN	CHKD	APPR

TITLE: **GATE HINGE GALVANISED**

 THIRD ANGLE PROJECTION  
 DO NOT SCALE DRAWING  
 UNLESS OTHERWISE SPECIFIED:  
 DIMENSIONS ARE IN MILLIMETERS  
 TOLERANCES:  
 LINEAR: 0 Place ±1mm  
 1 Place Drg Specified  
 ANGULAR: ±0.5DEG

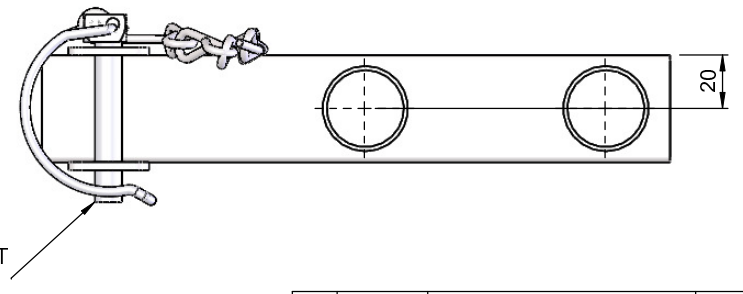
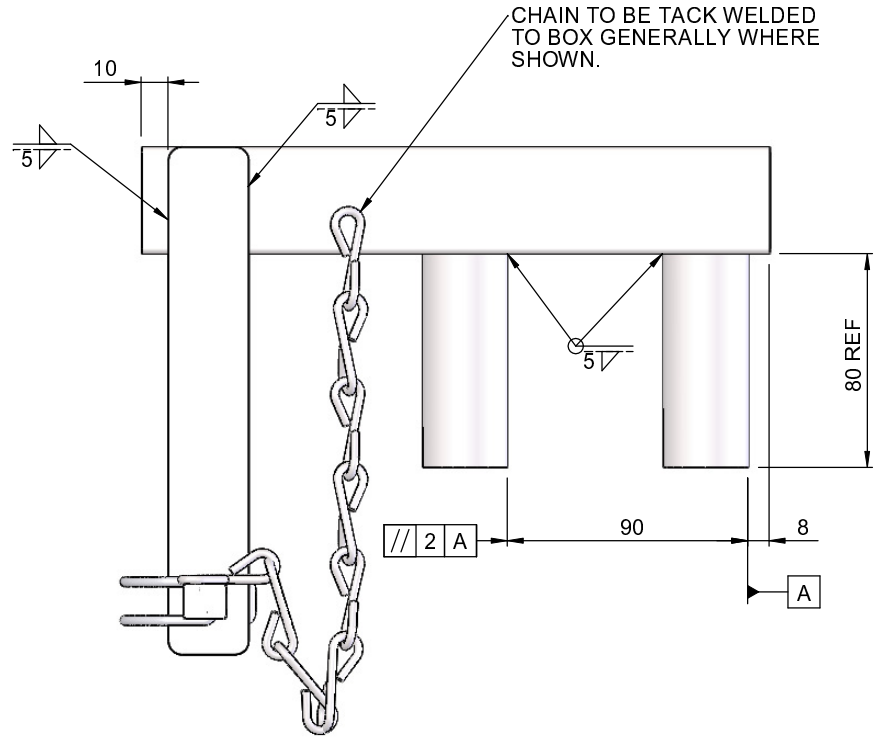
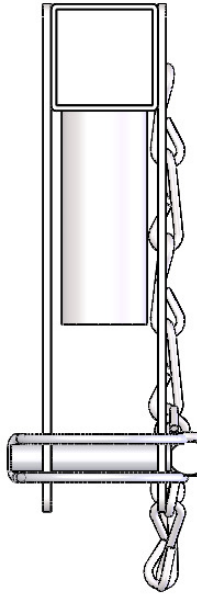
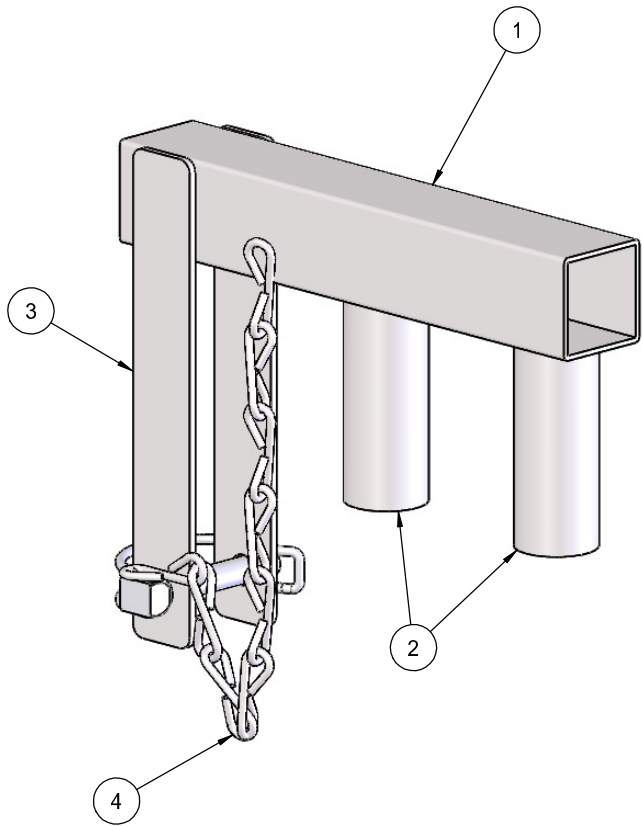
	NAME	SIGNATURE	DATE
DRAWN	G. CRICK		25/5/8
CHK'D	.		.
APPVD	.		.
MFG	.		.
Q.A			

MATERIAL: **CARBON STEEL**  
 FINISH: **HOT DIPPED GALVANISED**



Dwg/Stock No. **09054030** Revision **0**

DEBUR AND BREAK SHARP EDGES



LOCKING PIN TO BE PUT INTO HOLES IN FLATS

ITEM No.	PART No.	DESCRIPTION	QTY
1	09054030-1	BOX SECTION	1
2	09054030-2	SPIGOT TUBE	2
3	09054030-3	FLAT BAR	2
4	090540360-4	LOCKING PIN & CHAIN	1

DEBUR AND BREAK SHARP EDGES

THIRD ANGLE PROJECTION  
DO NOT SCALE DRAWING  
UNLESS OTHERWISE SPECIFIED:  
DIMENSIONS ARE IN MILLIMETERS  
TOLERANCES:  
LINEAR: 0 Place ±1mm  
1 Place Drg Specified  
ANGULAR: ±0.5DEG

TITLE: GATE HINGE GALVANISED FABRICATION			
NAME	SIGNATURE	DATE	MATERIAL:
DRAWN: G. CRICK		21/4/8	CARBON STEEL
CHK'D: .			
APPVD: .			FINISH: HOT DIPPED GALVANISED
MFG: .			
Q.A: .			

REV	DATE	DESCRIPTION	DRN	CHKD	APPR
0	25/5/8	ISSUED FOR MANUFACTURE	GC		
P1	21/4/8	ISSUED FOR APPROVAL	GC		

**ZNDUK**

Dwg/Stock No. **09054030-FAB** Revision **0**

WBIGHT: 1.25 Kg

SCALE:1:2

SHEET 3 OF 7

A3

1 2 3 4 5 6 7 8

A

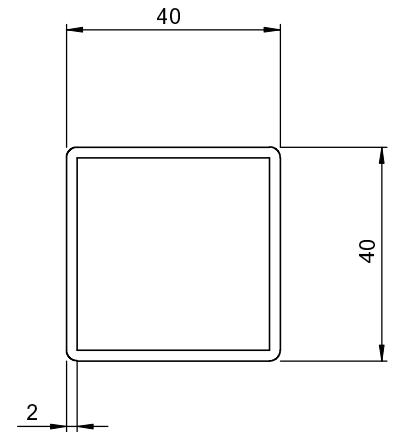
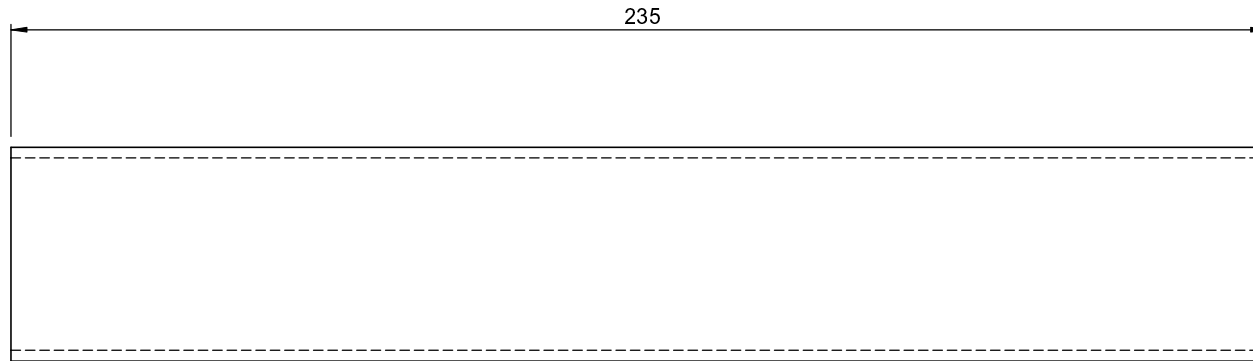
B

C

D

E

F



0	25/5/8	ISSUED FOR MANUFACTURE	GC		
P1	21/4/8	ISSUED FOR APPROVAL	GC		
REV	DATE	DESCRIPTION	DRN	CHKD	APPR

TITLE: **GATE HINGE GALVANISED BOX SECTION**

THIRD ANGLE PROJECTION  
DO NOT SCALE DRAWING

UNLESS OTHERWISE SPECIFIED:  
DIMENSIONS ARE IN MILLIMETERS  
TOLERANCES:  
LINEAR: 0 Place ±1mm  
1 Place Drg Specified  
ANGULAR: ±0.5DEG

	NAME	SIGNATURE	DATE
DRAWN	G. CRICK		21/4/8
CHK'D	.		.
APPVD	.		.
MFG	.		.
Q.A	.		.

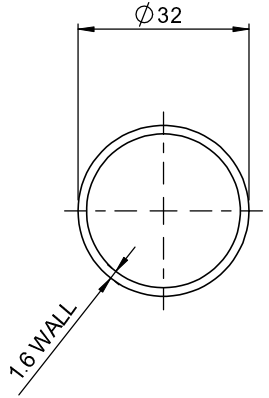
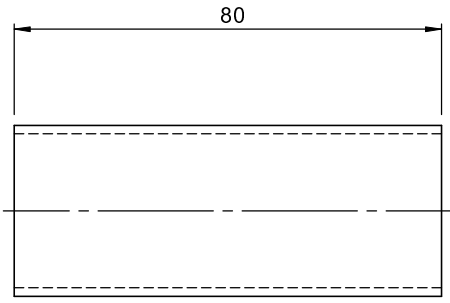
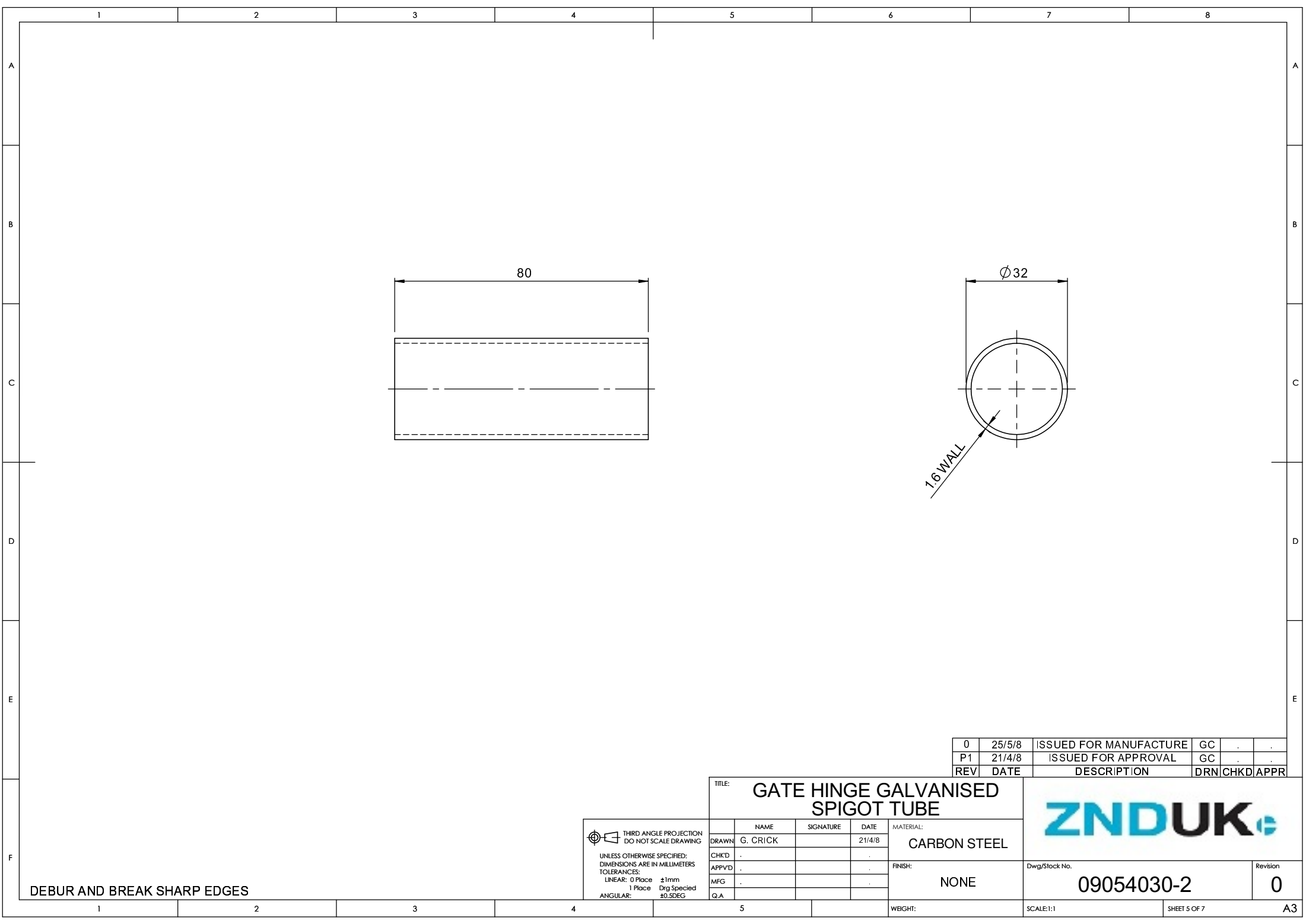
MATERIAL:  
**CARBON STEEL**

FINISH:  
**NONE**

**ZNDUK**<sub>e</sub>

Dwg/Stock No. **09054030-1** Revision **0**

DEBUR AND BREAK SHARP EDGES



0	25/5/8	ISSUED FOR MANUFACTURE	GC		
P1	21/4/8	ISSUED FOR APPROVAL	GC		
REV	DATE	DESCRIPTION	DRN	CHKD	APPR

TITLE: **GATE HINGE GALVANISED SPIGOT TUBE**

THIRD ANGLE PROJECTION  
DO NOT SCALE DRAWING

UNLESS OTHERWISE SPECIFIED:  
DIMENSIONS ARE IN MILLIMETERS  
TOLERANCES:  
LINEAR: 0 Place ±1mm  
1 Place Drg Specified  
ANGULAR: ±0.5DEG

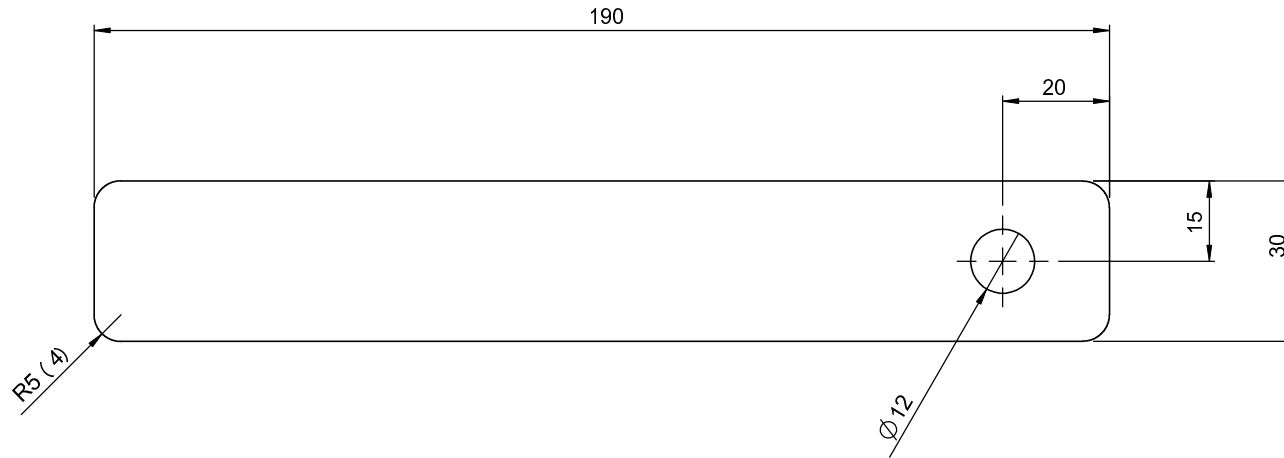
	NAME	SIGNATURE	DATE	MATERIAL:
DRAWN	G. CRICK		21/4/8	CARBON STEEL
CHK'D	.		.	
APPVD	.		.	
MFG	.		.	
Q.A	.		.	

FINISH:  
**NONE**



Dwg/Stock No. **09054030-2** Revision **0**

DEBUR AND BREAK SHARP EDGES



0	25/5/8	ISSUED FOR MANUFACTURE	GC		
P1	21/4/8	ISSUED FOR APPROVAL	GC		
REV	DATE	DESCRIPTION	DRN	CHKD	APPR

TITLE: **GATE HINGE GALVANISED  
FLAT BAR**

THIRD ANGLE PROJECTION  
DO NOT SCALE DRAWING

UNLESS OTHERWISE SPECIFIED:  
DIMENSIONS ARE IN MILLIMETERS  
TOLERANCES:  
LINEAR: 0 Place ±1mm  
1 Place Drg Specied ±0.3DEG  
ANGULAR: ±0.5DEG

	NAME	SIGNATURE	DATE
DRAWN	G. CRICK		21/4/8
CHK'D	.		
APPVD	.		
MFG	.		
Q.A	.		

MATERIAL:  
**CARBON STEEL**

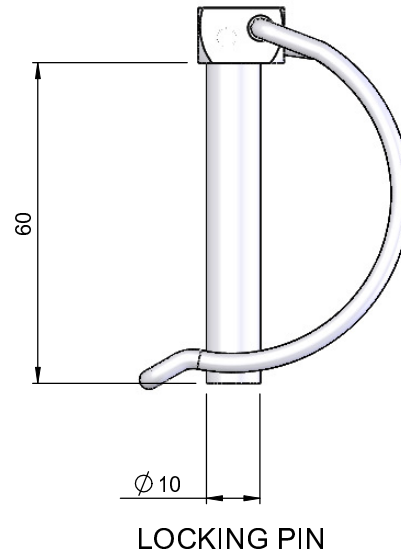
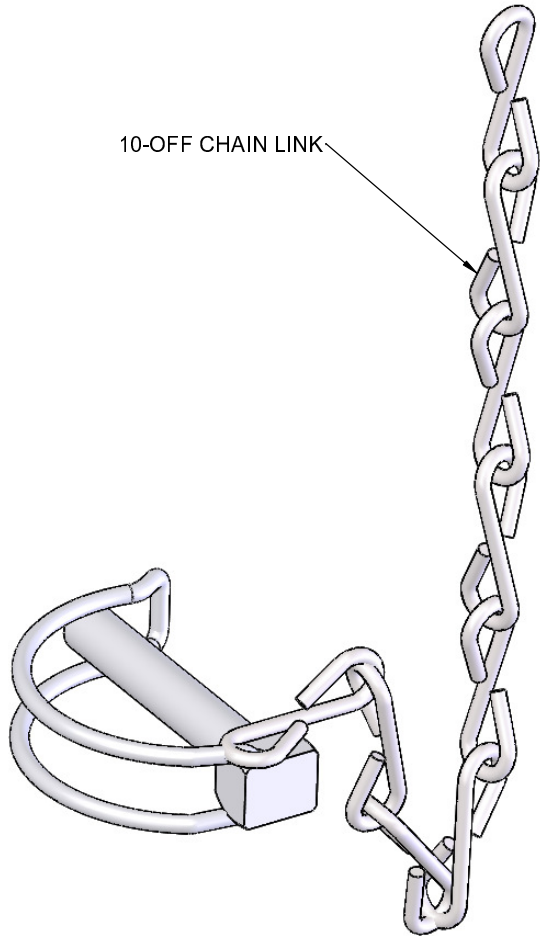
FINISH:  
**NONE**

**ZNDUK<sub>e</sub>**

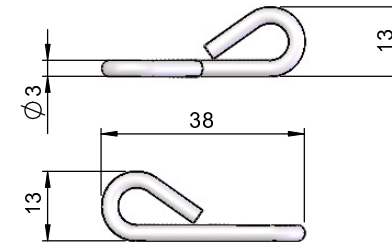
Dwg/Stock No. **09054030-3** Revision **0**

DEBUR AND BREAK SHARP EDGES

10-OFF CHAIN LINK



LOCKING PIN



TYPICAL CHAIN LINK  
10-OFF

0	25/5/8	ISSUED FOR MANUFACTURE	GC		
P1	21/4/8	ISSUED FOR APPROVAL	GC		
REV	DATE	DESCRIPTION	DRN	CHKD	APPR

TITLE: <b>GATE HINGE GALVANISED LOCKING PIN &amp; CHAIN</b>					
	NAME	SIGNATURE	DATE	MATERIAL:	
DRAWN	G. CRICK		21/4/8	CARBON STEEL	
CHK'D				FINISH:	
APPVD				HOT DIPPED GALVANISED	
MFG					
Q.A					

**ZNDUK**<sub>e</sub>

Dwg/Stock No.	Revision
<b>09054030-4</b>	<b>0</b>

THIRD ANGLE PROJECTION  
DO NOT SCALE DRAWING

UNLESS OTHERWISE SPECIFIED:  
DIMENSIONS ARE IN MILLIMETERS  
TOLERANCES:  
LINEAR: 0 Place ±1mm  
1 Place Drg Specified  
ANGULAR: ±0.5DEG

DEBUR AND BREAK SHARP EDGES