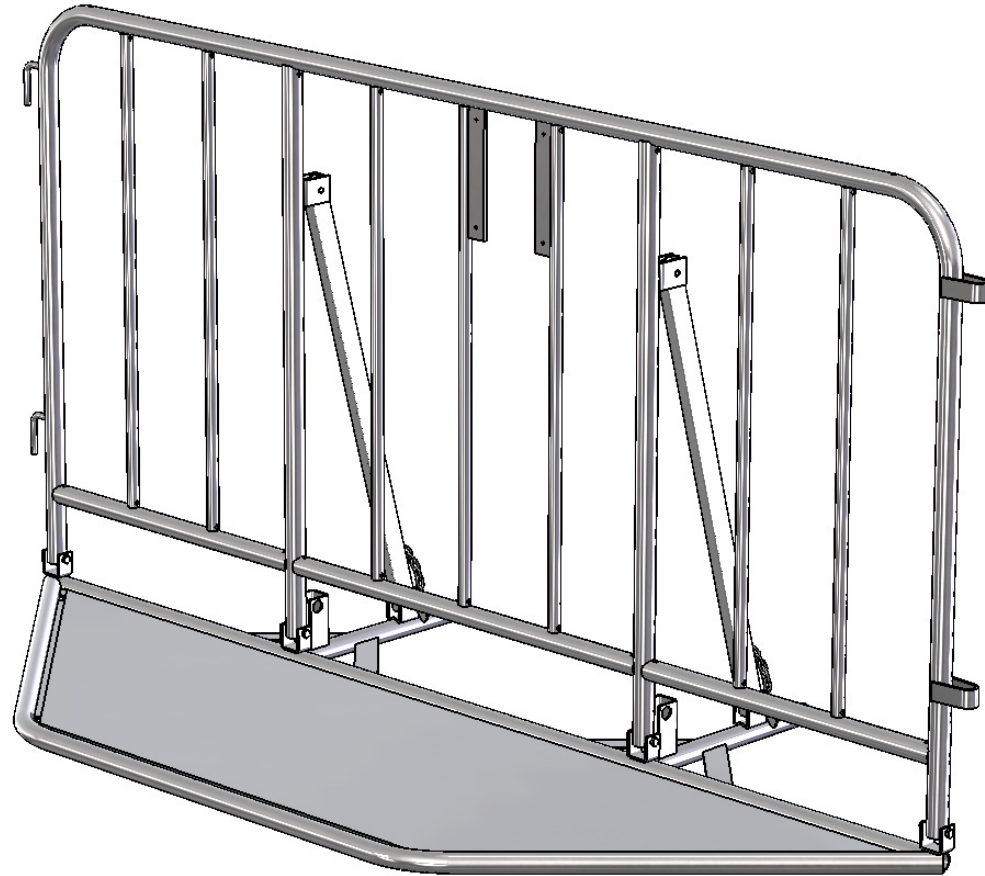


1
2
3
4
5
6
7
8

ALL DIMENSIONS IN MILLIMETRES
REMOVE ALL SHARP EDGES

THIRD ANGLE PROJECTION
DO NOT SCALE DRAWING



0	29/3/12	ISSUED FOR MANUFACTURE	GC	.	.
P2	5/12/11	ISSUED FOR APPROVAL	GC	.	.
REV	DATE	DESCRIPTION	DRN	CHKD	APPR

TITLE: POLICE BARRIER COLLAPSABLE				MATERIAL: CARBON STEEL	
DRAWN	NAME	SIGNATURE	DATE		
CHK'D	G. CRICK		18/11/11		
FINISH:	HOT DIPPED GALVANISED				

ZNDDE

CODE No. 1066

THE COMPANY RETAIN THE RIGHT TO PERIODICALLY ALTER INFORMATION WITHIN THIS DRAWING SHEET AND WILL ATTEMPT TO NOTIFY ALL PARTIES CONCERNED OF ANY CHANGES AND THE INFORMATION ON THIS SHEET SHOULD NOT BE REPRODUCED WITHOUT THEIR WRITTEN CONSENT.

UNLESS STATED OTHERWISE		
GENERAL TOLERANCES:		
FABRICATION	UP TO 1000mm	+/- 2mm
	1001mm & ABOVE	+/- 3mm
ANGULAR	+/- 0.5 DEGREE	
WEIGHT	+/- 10% (DUE TO MATERIAL PROPERTIES & TOLERANCES)	

Dwg/Stock No.	Revision
ZND501	0

WEIGHT: 48.5 Kg

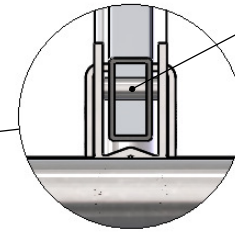
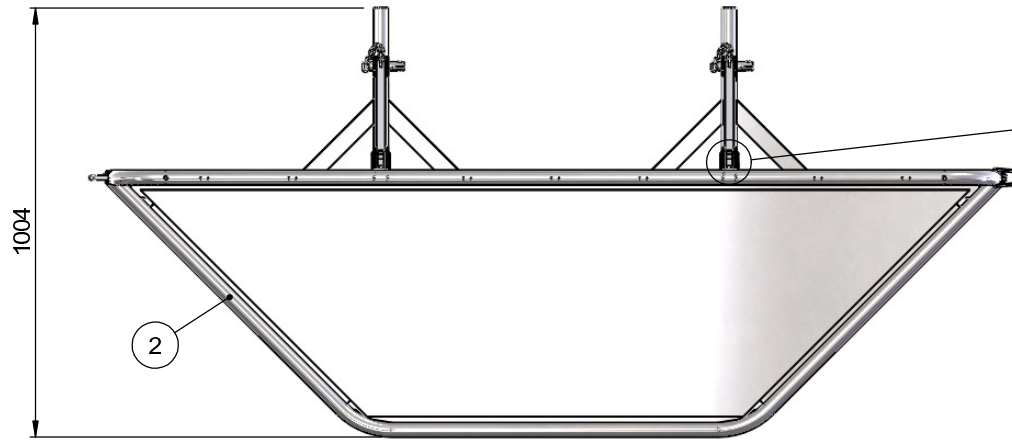
SCALE: 1:7.5

SHEET 1 OF 36

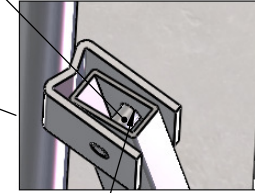
A3

ALL DIMENSIONS IN MILLIMETRES
REMOVE ALL SHARP EDGES

THIRD ANGLE PROJECTION
DO NOT SCALE DRAWING

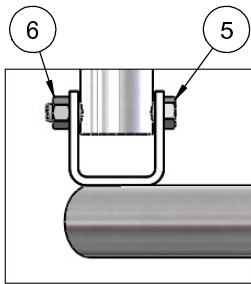
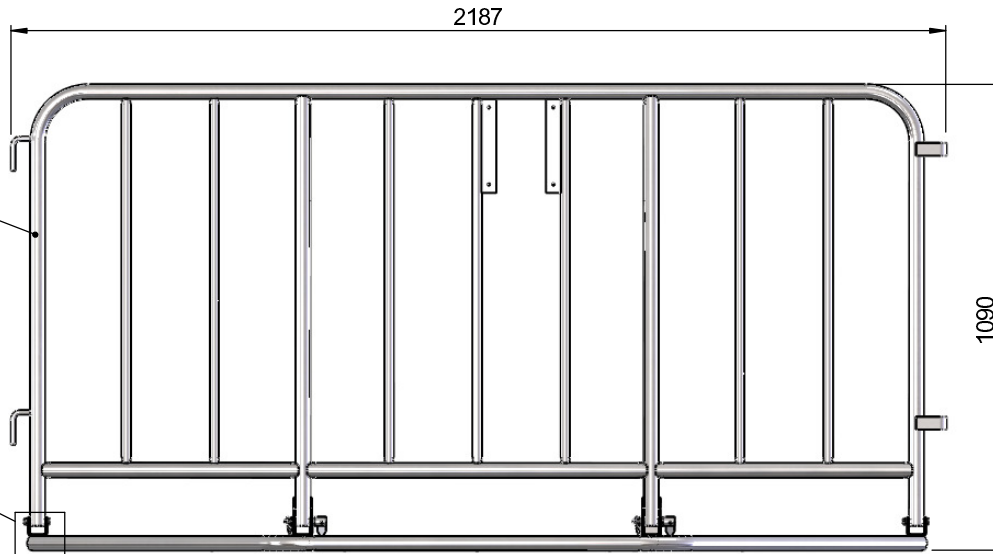


DETAIL A
SCALE 1 : 2.5
TYPICAL 2 PLACES

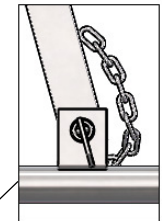
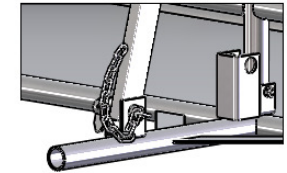


TACK WELD

TACK WELD PIN TO THE
INSIDE OF THE LEG TUBE
ON FINAL ASSEMBLY



DETAIL B
SCALE 1 : 2.5
TYPICAL 4 PLACES



DETAIL C
SCALE 1 : 5

ALL PARTS TO BE HOT DIPPED GALVANISED
SEPARATELY BEFORE ASSEMBLY

ITEM No.	PART No.	DESCRIPTION	QTY
1	ZND501-1	BARRIER BASE	1
2	ZND501-2	BARRIER	1
3	ZND501-3	LEG	2
4	ZND501-4	PIN	2
5		M8 x 55 Lg HEX HEAD SET SCREW GALV	4
6		M8 LOCKNUT GALV	4

REV	DATE	DESCRIPTION	DRN	CHKD	APPR
0	29/3/12	ISSUED FOR MANUFACTURE	GC	.	.
P2	5/12/11	ISSUED FOR APPROVAL	GC	.	.

TITLE: POLICE BARRIER COLLAPSABLE				MATERIAL: CARBON STEEL	
NAME	SIGNATURE	DATE	FINISH: HOT DIPPED GALVANISED		
G. CRICK		18/11/11			
CHK'D					
UNLESS STATED OTHERWISE			WEIGHT: 48.5 Kg		
GENERAL TOLERANCES:			SCALE: 1:12.5		
FABRICATION	UP TO 1000mm	+/- 2mm			
	1001mm & ABOVE	+/- 3mm			
ANGULAR	+/- 0.5 DEGREE				
WEIGHT	+/- 10% (DUE TO MATERIAL PROPERTIES & TOLERANCES)				



CODE No. 1066

THE COMPANY RETAIN THE RIGHT TO PERIODICALLY ALTER INFORMATION WITHIN THIS DRAWING SHEET AND WILL ATTEMPT TO NOTIFY ALL PARTIES CONCERNED OF ANY CHANGES AND THE INFORMATION ON THIS SHEET SHOULD NOT BE REPRODUCED WITHOUT THEIR WRITTEN CONSENT.

Dwg/Stock No.	Revision
ZND501 - GA2	0