

SAFETYRESPECT®

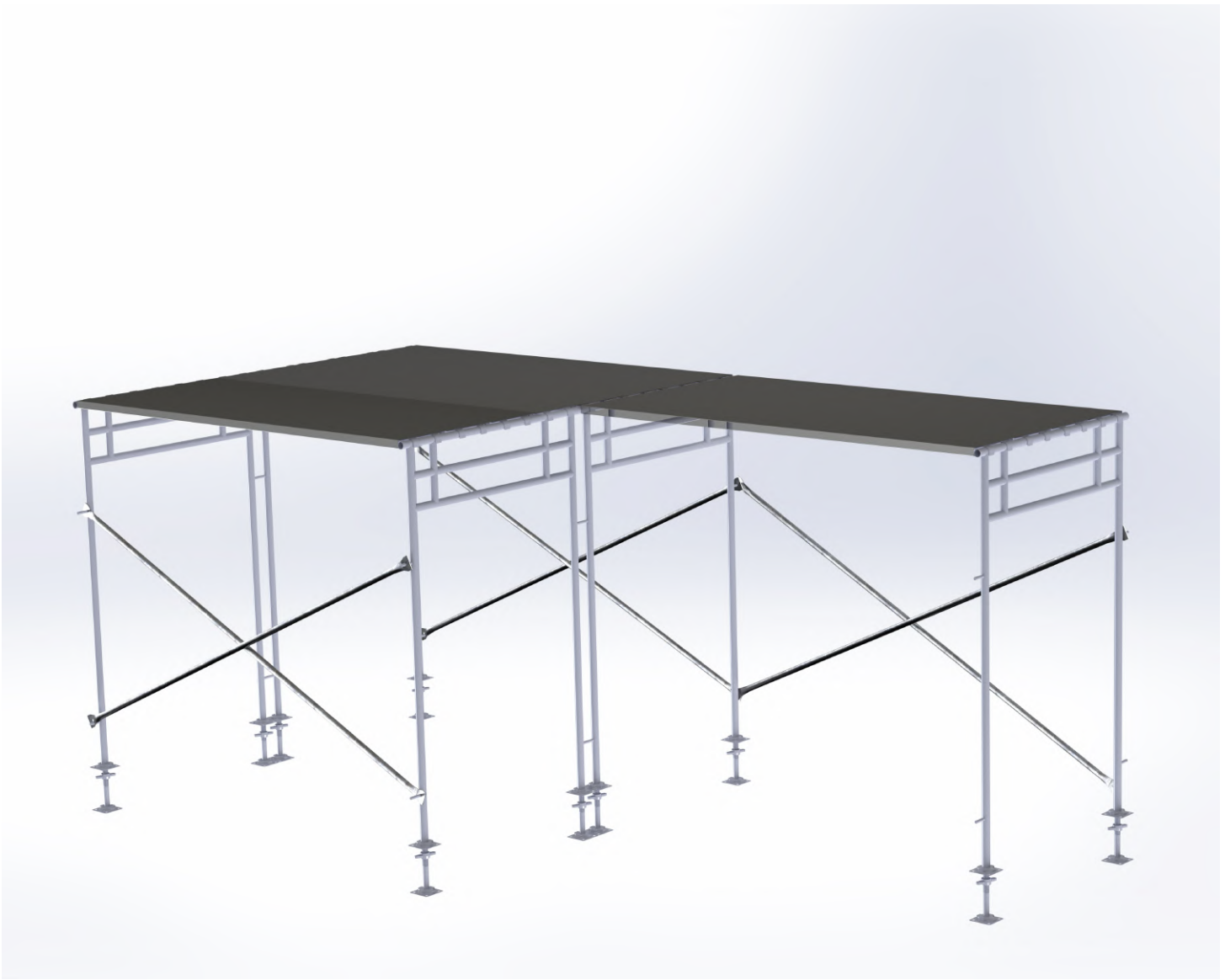
EDGE PROTECTION SPECIALIST
WE SAVE LIVES



2020

SAFETYRESPECT TR | +90 216 307 87 87 | INFOTR@SAFETYRESPECT.SE | WWW.SAFETYRESPECT.COM.TR



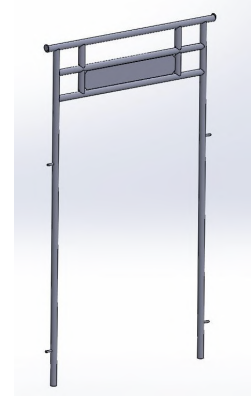
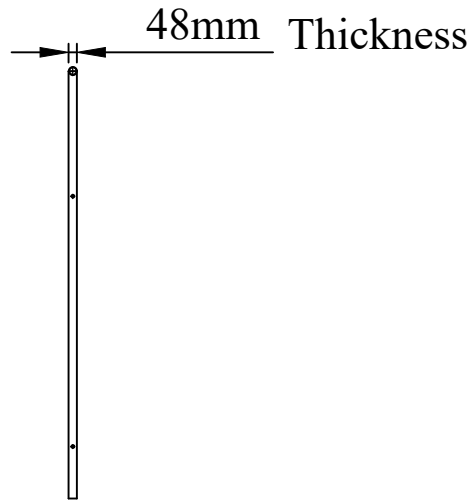
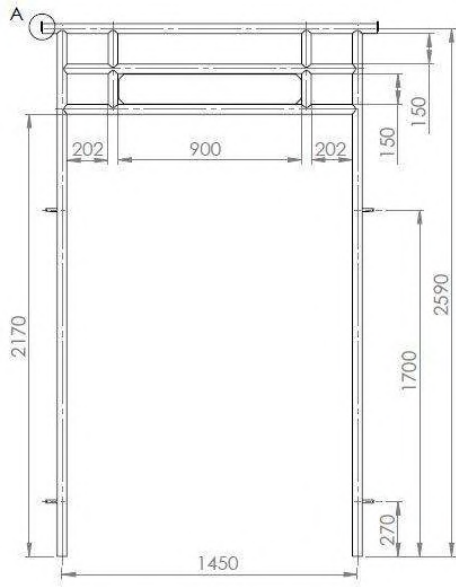


SafetyRespect Scaffolding Walkway

Our innovative Covered Walkway modular system is designed to provide outstanding protection for safe pedestrian passage near construction sites.

Its modular characteristics enable creative flexibility during structure assembly while helping to expedite the dismantling process. We guarantee our system will last for as long as you need it. Our freestanding frames can be installed virtually anywhere and quick individual component replacement is always possible without adversely affecting an erected structure.

Our fully-engineered Covered Walkway structures are constructed from various tube and angle bar sizes that are entirely hot dip galvanized following fabrication. Our lumber components are completely painted on all sides to maximize their longevity and overall project aesthetics.

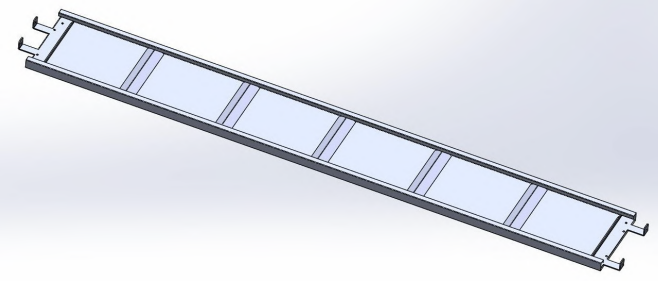
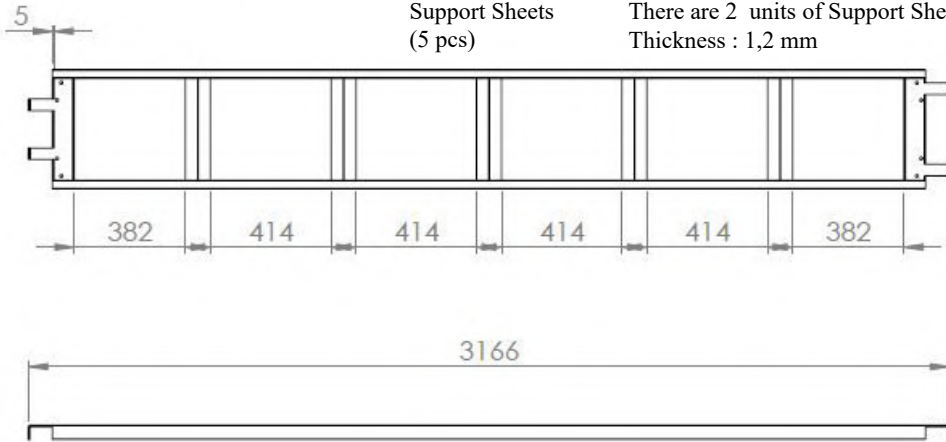


Walkway Scaffolding BODY

- The product was created using S235 JR(Structural Steel), also the product is hot dip galvanized. The radius of the product 48mm. Thickness of the steel is 2mm. Entrance height is 2170mm, complete height of the body is 2614mm. Side length of the product is 1600mm.
- The calculated weight of the product is 25kg.
- The product can be used with and without anchoring. The minimum fastener used is m10x85.
- The product can be elevated by using an optional product called Elevation foot. (Look at pg. 6)

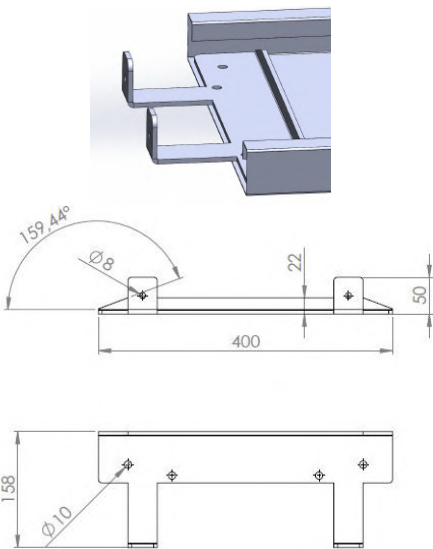
These are triangle shaped Support Sheets (5 pcs)

There are 2 units of Support Sheet. Thickness : 1,2 mm

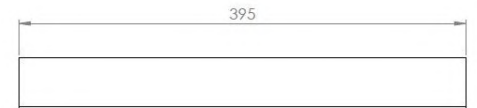
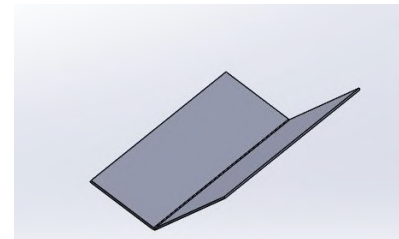
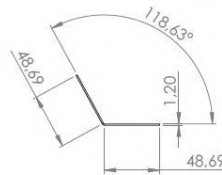
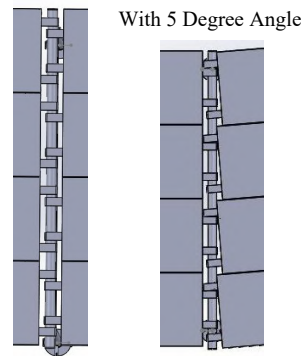


P.s. : Thickness of Sheet 1,2 mm and under the body there are triangle shaped support sheets which are welded to the body

The support sheet which connects to the body
Thickness: 5 mm.

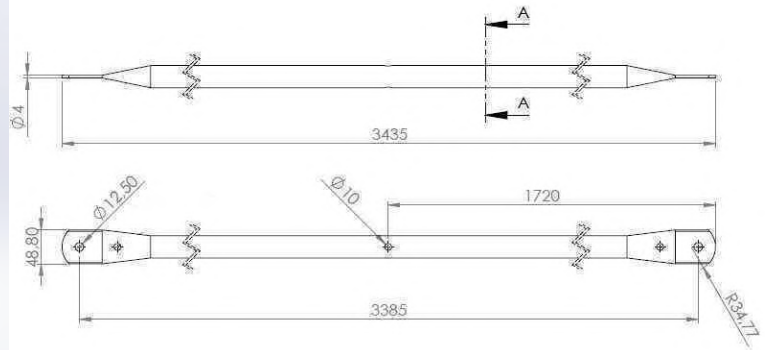
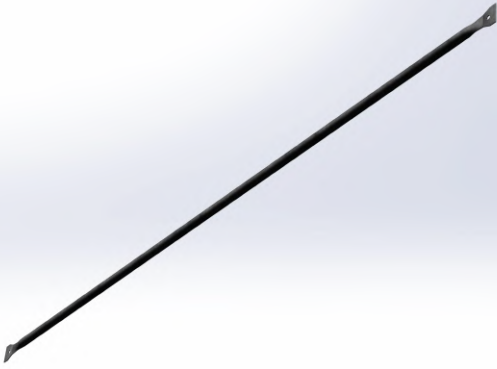


P.s. : The connector sheet elements were increased by 3 cm in order for the user to give it an angle of 0 to 5 degrees. (Check Page. 10)



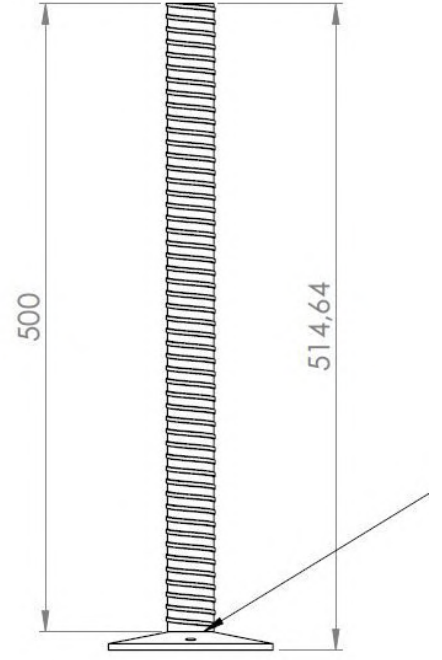
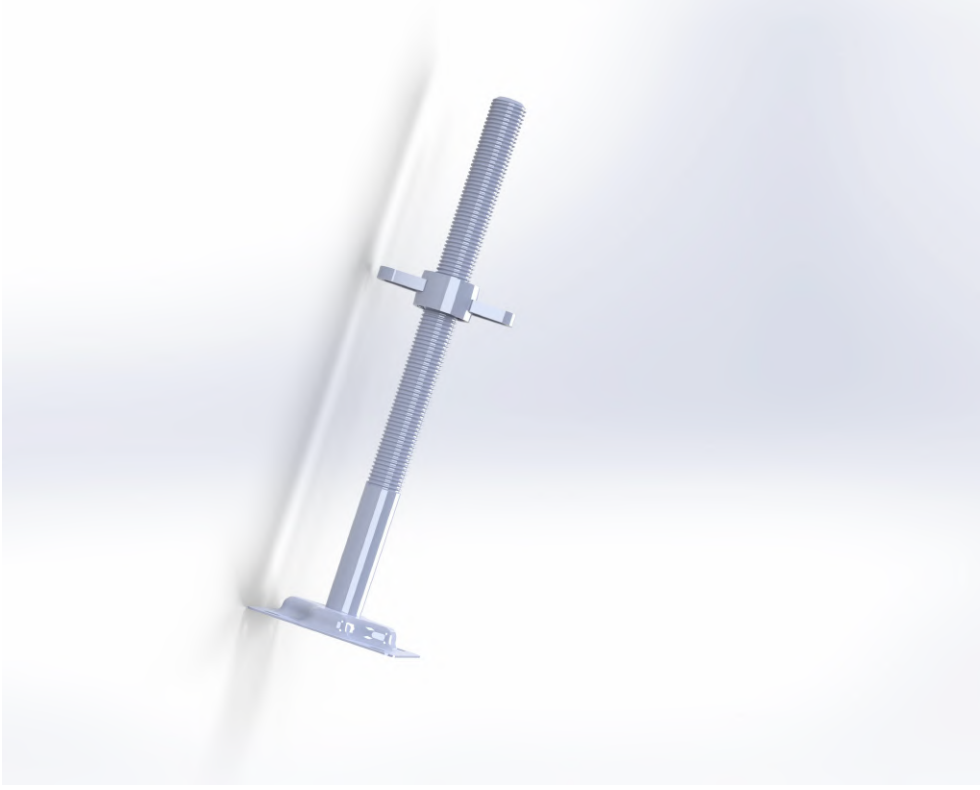
Walkway Scaffolding UPPER SHEET

- The product was created using ST-37(Structural Steel), also the product is hot dip galvanized.
- The length of the product is 3000mm. Weight of the product is 21 kg. Thickness of the sheet is 1.2mm. There are also male and female support sheets of 5mm. There are 5 support sheet metals under the plate because of the need of extra endurance.
- The product can be attached using male and female locking system. The product can be installed within the range of 0 to 5 degrees of angle if needed.



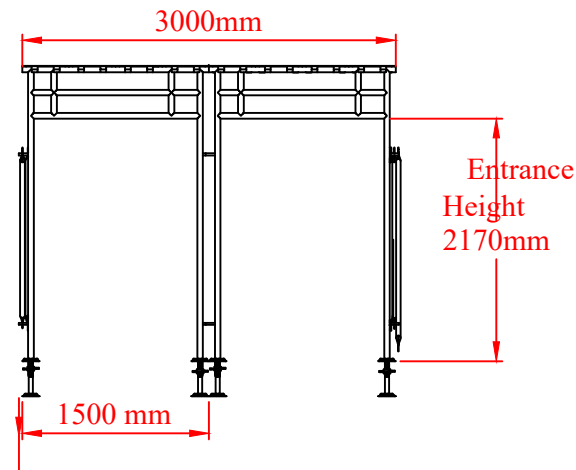
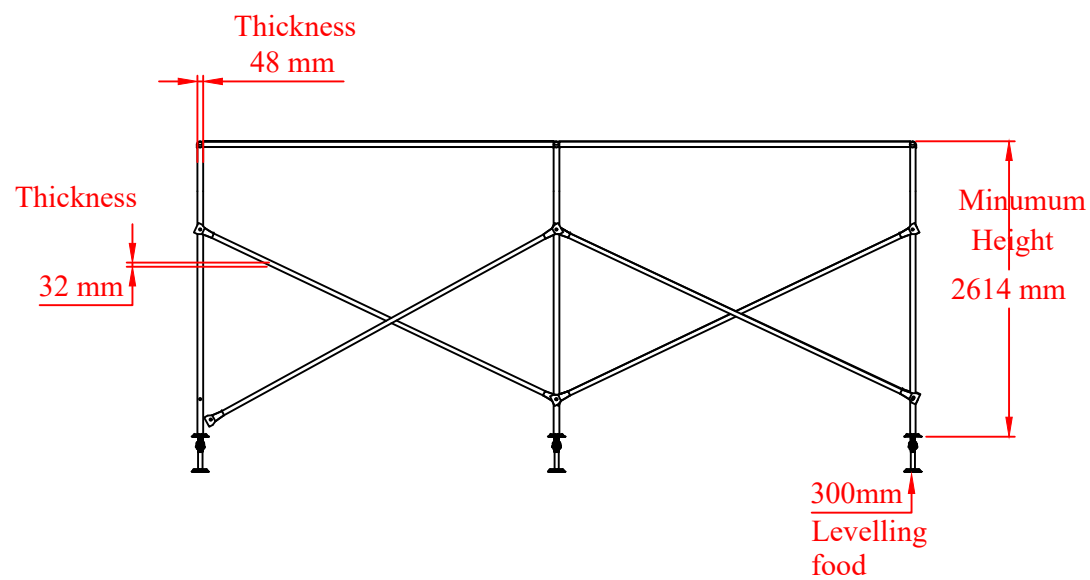
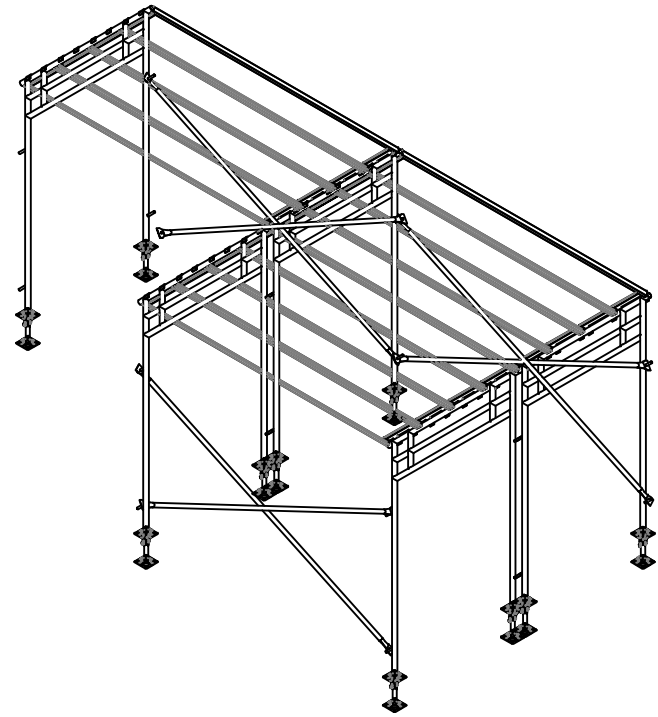
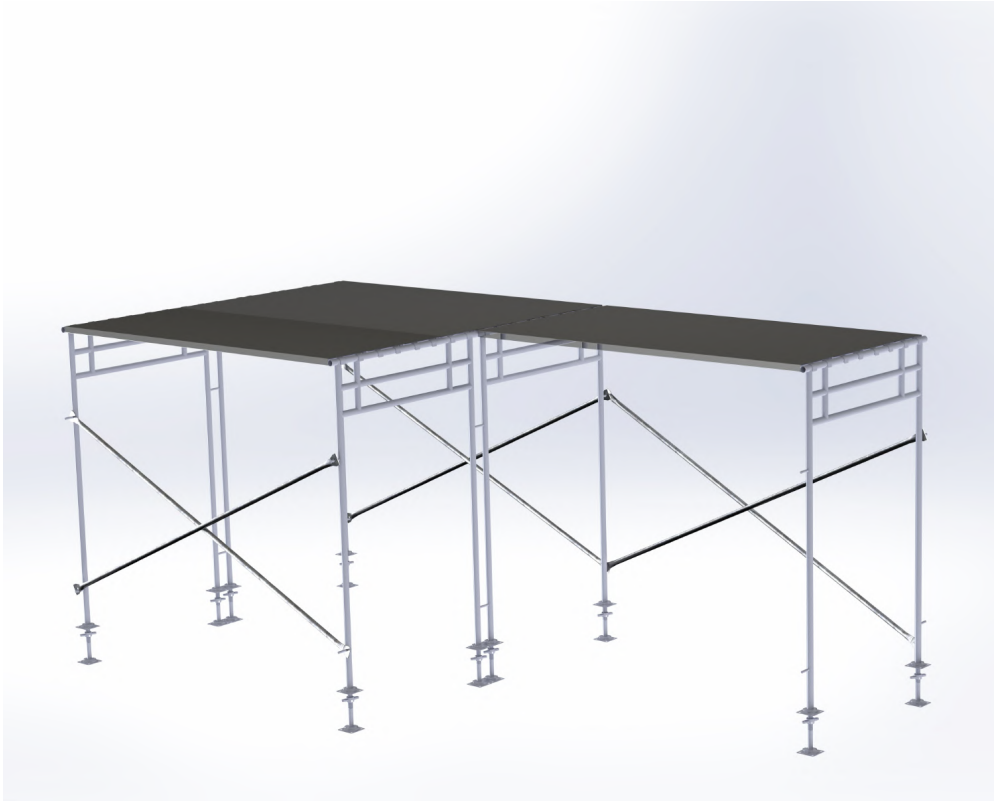
Walkway Scaffolding CROSS-WISE ROD

- The product was created using ST-37(Structural Steel), also the product is hot dip galvanized.
- The length of the product is 3435mm. Weight of the product is 8 kg. Radius of the product is 32 mm.
- The system requires x4 of the product in order to block side pathways. The product can be attached using Scaffolding locking system.



Walkway Scaffolding ELEVATION FEET (Optional)

- The product was created using ST-37(Structural Steel), also the product is hot dip galvanized.
- The product can elevate the Scaffolding walkway up to 300mm. Weight of the product is 5 kg. Radius of the tube is 36mm.
- This product can be used to elevate the walkway when required. The locking of the height can be achieved by using special nuts(locking the feet when achieved the required height.) designed for this product.



Walkway Scaffolding 3-SYSTEM

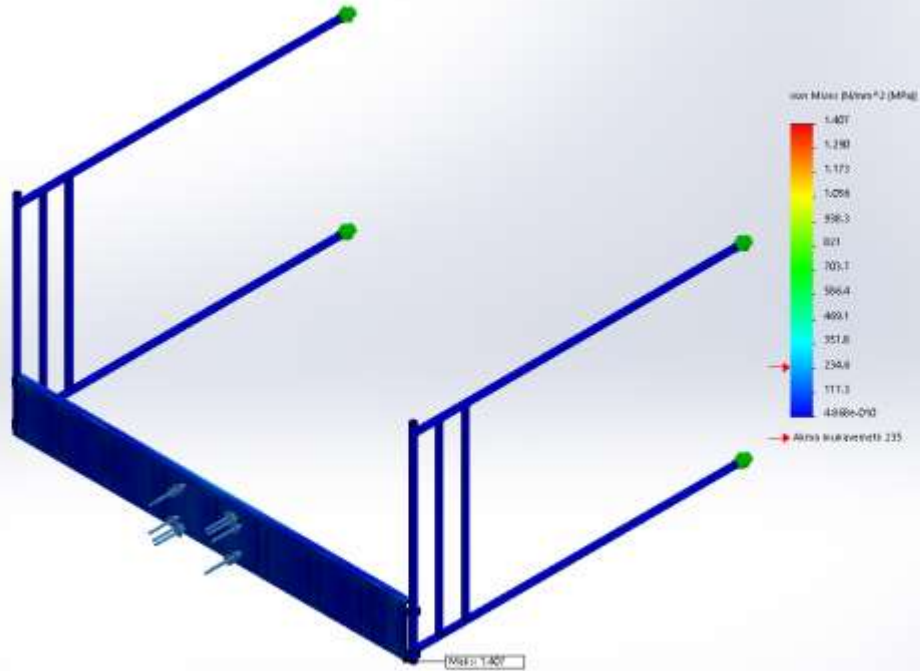
Following images are for the triple-scaffolding walkway system.

Walkway Scaffolding TEST RESULTS

Load Name	Load Image	Load Details
Load - 1		Objects: Surface of Sheet Type: Normal force load Value: 5586 N

Name Of The Test	Type	Min	Max
Stress	VON: von Mises Stress	4.868e-010 N/mm ² (MPa) Loop: 287160	1.407 N/mm ² (MPa) Loop: 251331

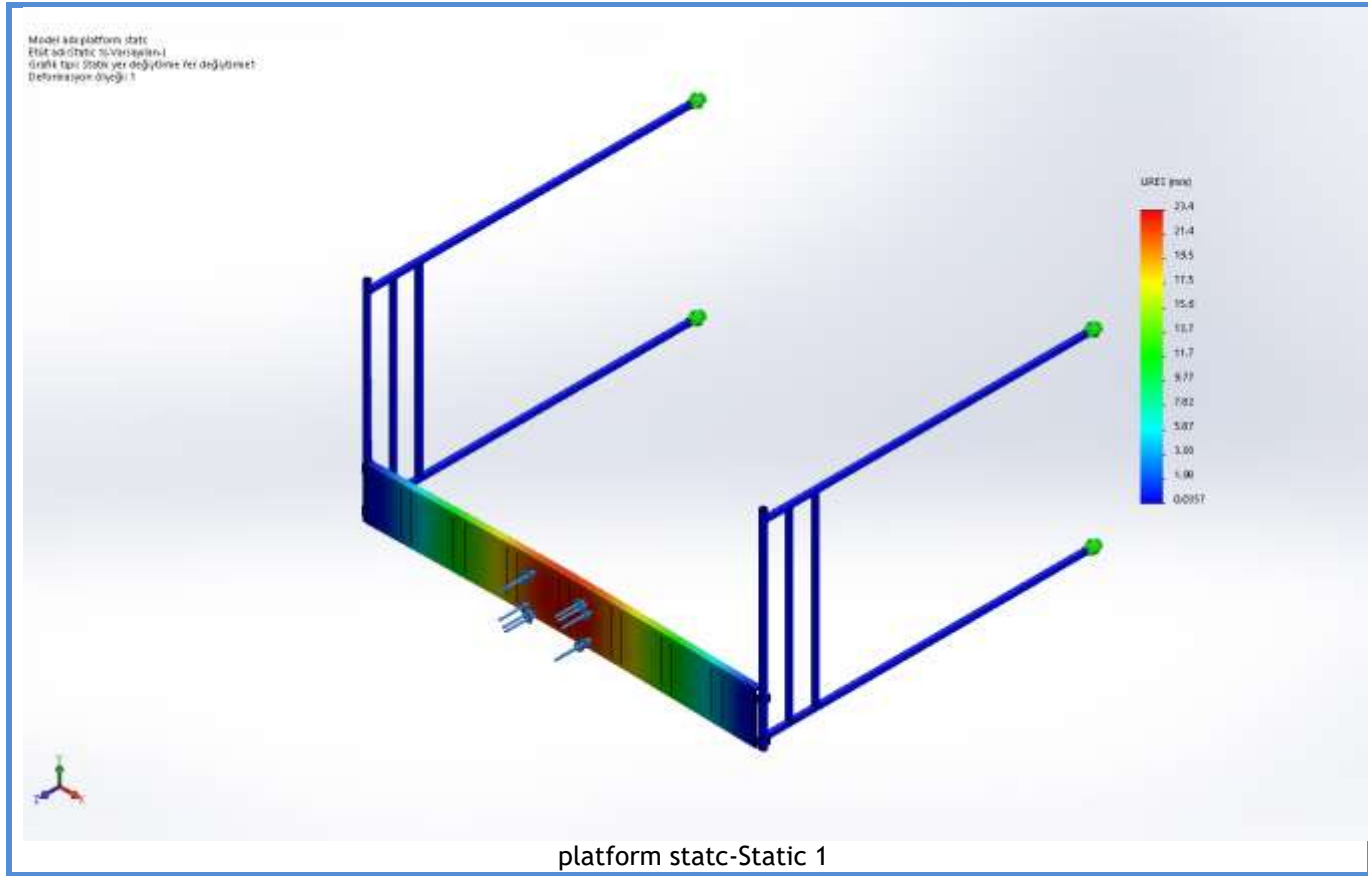
Model adı platform statik
Etüt adı Static 30-Veriyelemleri
Grafik tipi Stress: diğün stress Stress1



platform statc-Static 1-Stress-Stress1

Name	Type	Min	Max
Stretch	URES: Result stretch	0.0357 mm Loop: 245343	23.4 mm Loop: 268130

STRAIN TEST



Name	Type	Min	Max
Stretch	ESTRN: Eşdeğer Gerilme	2.2e-015 Unit: 248735	0.00348 Unit: 115430

The following results are calculated using SolidWorks. The product has been tested on point load 5586N(100 kg object was dropped from 6 meters on the sheet surface of the product). The load applied did not create any inadmissible deformation.



~
~
~